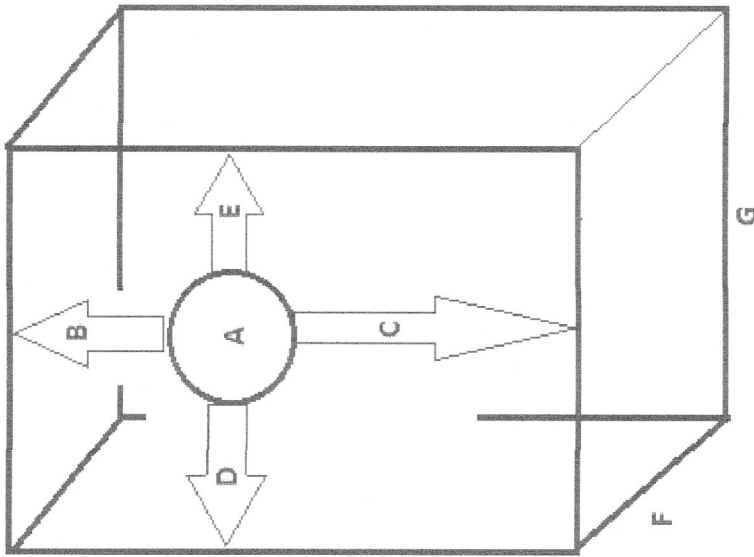


Zymark Inc.

Debris Blocker Compact Elbow Catch Basin Specification Sheet
Return completed sheet and any additional information to
Fax# (971) 224-4145 or email: zymarkinc@yahoo.com

TOP



A) Inside diameter of outfall pipe = _____

B) Distance from top of outfall pipe to the bottom of the "Grate" or "Lid" = _____

C) Distance from the bottom of the outfall pipe to the bottom of the "Basin" or "Vault" = _____

D) Distance from the left side of the outfall pipe to the left side of the "Basin" or "Vault" = _____

E) Distance from the right side of the outfall pipe to the right side of the "Basin" or "Vault" = _____

F) Distance from the wall of the basin that has the outfall pipe to the opposite side wall = _____

G) Width of the basin wall = _____

***Other Questions below**

(H) What material is the basin made out of? (I) Is the basin square, rectangular or round? (J) Is the outfall pipe flush with the basin wall or does it protrude into the basin? If so how far? (K) Verify that the pipe is 90 degrees perpendicular to the basin wall. If not approximately what angle is it? (L) What material is the outfall pipe? (M) What is the dimensions of the "Grate" or "Access Hatch"?

Include any other schematics, information or pictures.